

# JVC

## SERVICE MANUAL

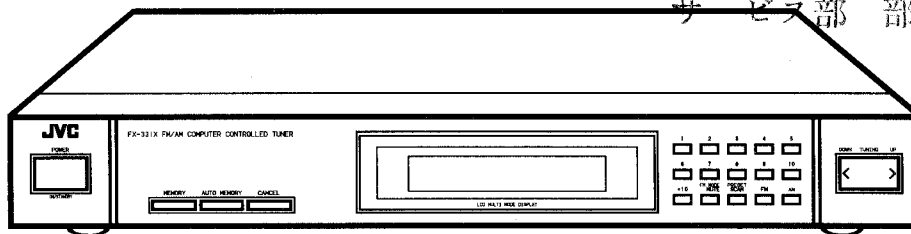
### FM/AM COMPUTER CONTROLLED TUNER

# FX-331XBK/FX-331XLBK

〒103東京都中央区日本橋本町4-8-14

日本ビクター株式会社

サービス部 部品管理課



**COMPU LINK**  
Component

These models are completely the same in the structure of FX-331BK / FX-331LBK, except for the outlook color and Power transformer mainly.

Please refer also to FX-331BK / FX-331LBK Service Manual (No. 20139).

### Contents

Power Specifications.....	2
Schematic Diagram.....	Insertion
Parts List.....	Separate-volume Insertion

# Power Specifications

## POWER SPECIFICATIONS

Area	Line Voltage & Frequency	Power Consumption
Australia	AC 240 V ~, 50 Hz	12 Watts
Continental Europe	AC 230 V ~, 50 Hz	
Other areas	AC 115 — 127 / 220 — 240 V ~ selectable, 50/60 Hz	15 Watts

## SPANNUNGSVERSORGUNG UND LEISTUNGS-AUFNAHME

Länder	Netzspannung und Frequenz	Leistungsaufnahme
Australien	240 V ~, 50 Hz	12 Watt
Kontinental-Europa	230 V ~, 50 Hz	
Andere Gebiete	umschaltbar 115 — 127 / 220 — 240 V ~ 50/60 Hz	15 Watt

## CARACTERISTIQUES D'ALIMENTATION

Pays	Tension d'alimentation et fréquence	Consommation
Australie	CA 240 V ~, 50 Hz	12 Watts
Europe Continentale	CA 230 V ~, 50 Hz	
Autres Pays	CA 115 — 127 / 220 — 240 V ~ commutable, 50/60 Hz	15 Watts

## SPANNINGSVEREISTEN

Gebieden	Netspanning en Frekwentie	Stroomverbruik
Australië	Net 240 V ~, 50 Hz	12 Watt
Vasteland van Europa	Net 230 V ~, 50 Hz	
Overige landen	Net 115 — 127 / 220 — 240 V ~ instelbaar, 50/60 Hz	15 Watt

## ESPECIFICACIONES DE ALIMENTACION

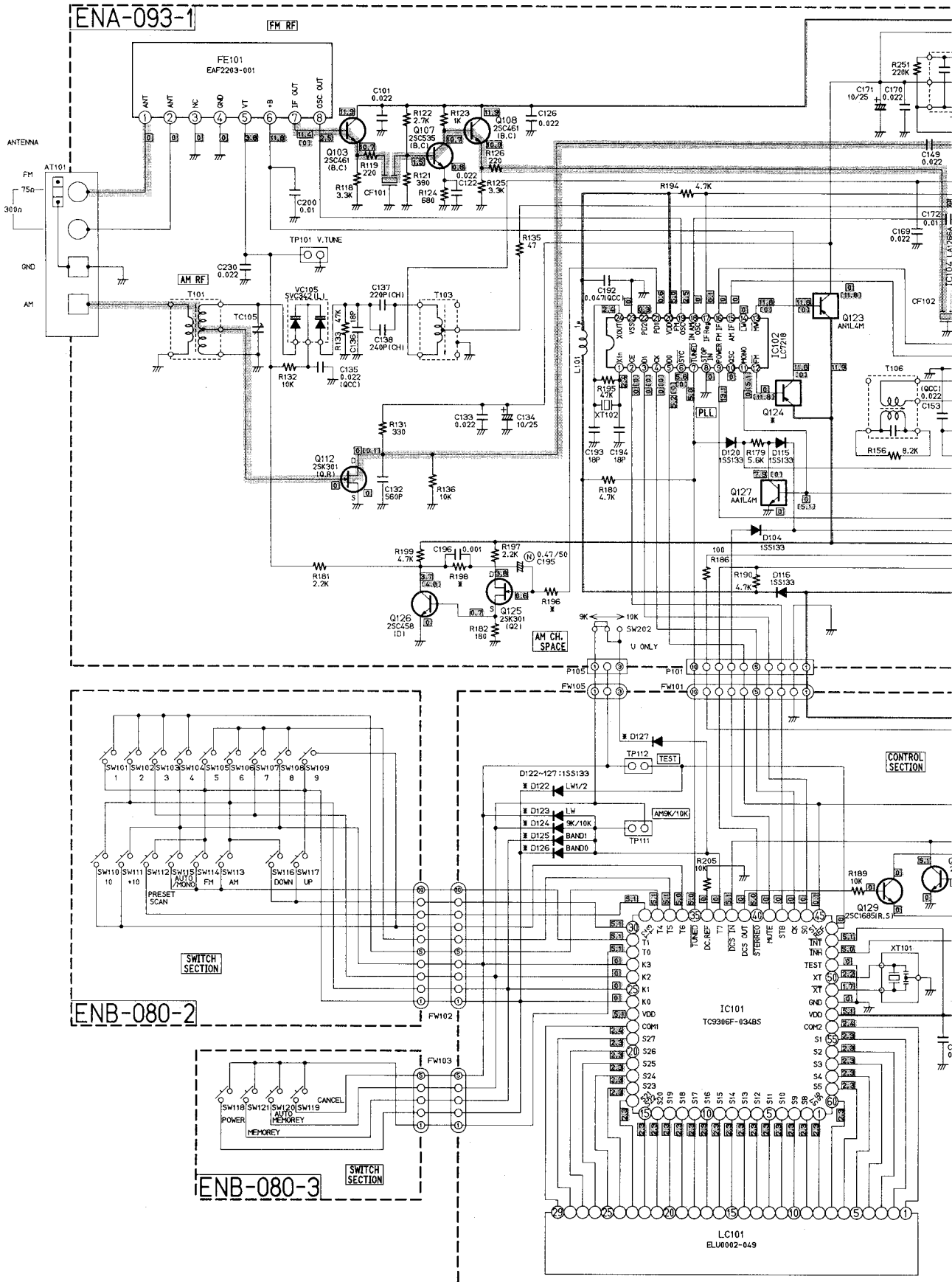
Países	Voltaje y frecuencia	Consumo
Australia	AC 240 V ~, 50 Hz	12 vatios
Europa Continental	AC 230 V ~, 50 Hz	
Otros países	AC 115 — 127 / 220 — 240 V ~ seleccionable, 50/60 Hz	15 vatios

## UPPGIFTER OM STRÖMFÖRSÖRJNING

Områden	Nätspänning & frekvens	Effektförbrukning
Australien	~ 240 V, 50 Hz	12 Watt
Kontinentala Europa	~ 230 V, 50 Hz	
Övriga länder	~ 115 — 127 / 220 — 240 V (omkopplingsbart), 50/60 Hz	15 Watt

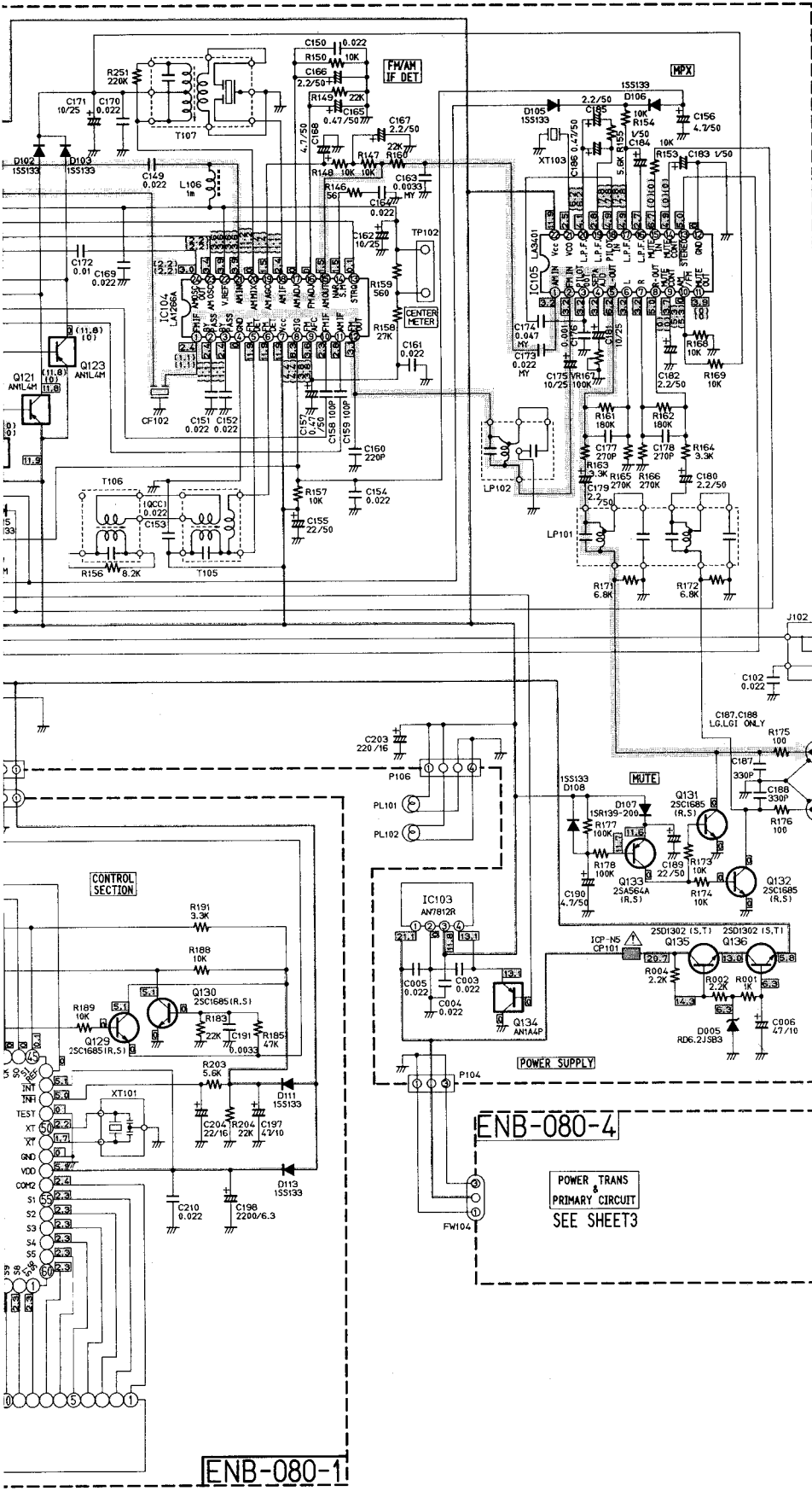
# Schematic Diagram

## ■ Tuner Section 1



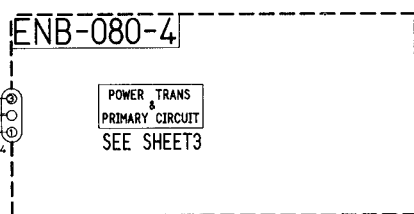
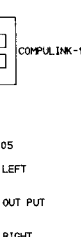






✱ MARK

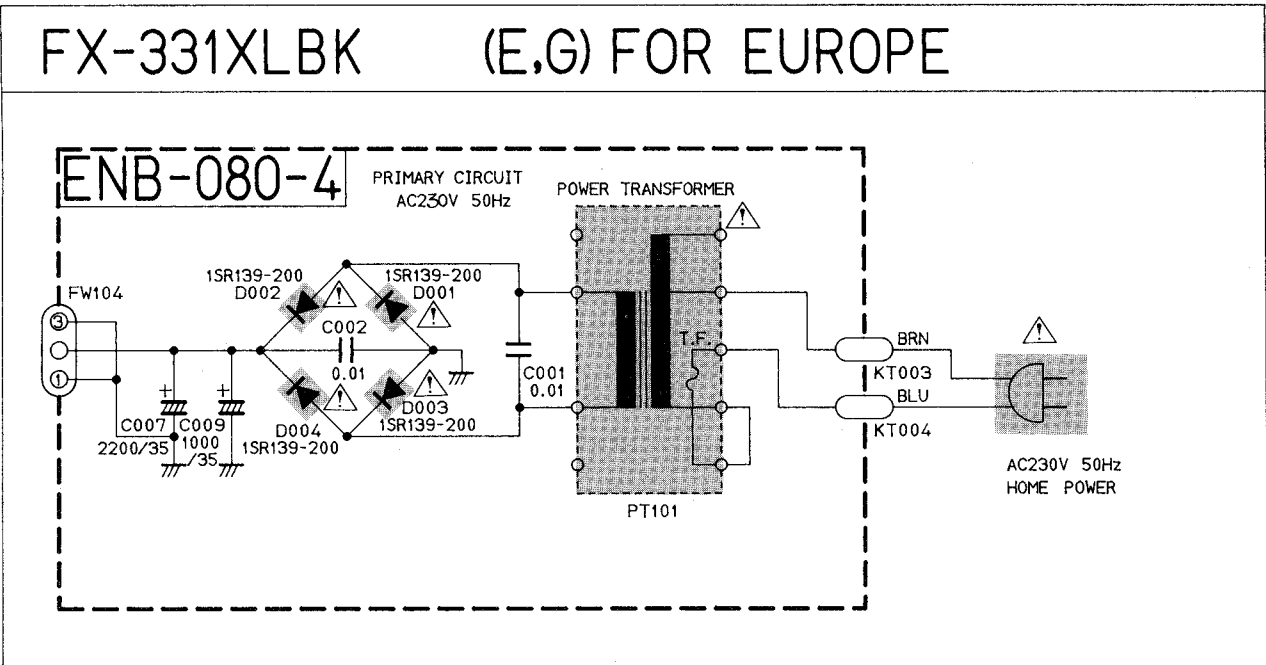
	LG1	LG LE, LEF
D122	USED	NONE
D123	USED	USED
D124	USED	USED
D125	NONE	NONE
D126	NONE	NONE
D127	NONE	NONE



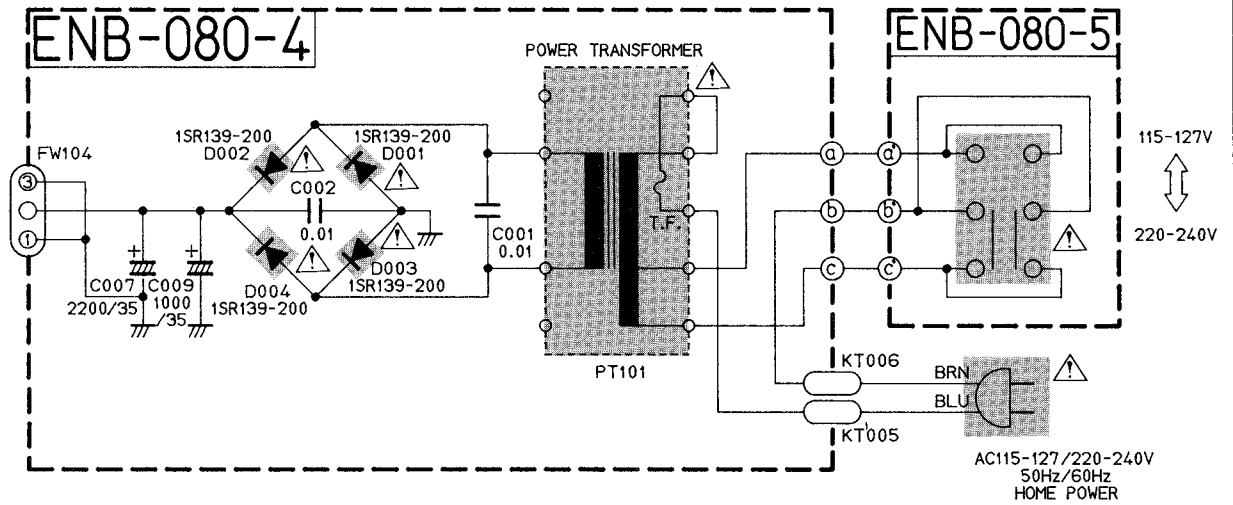
ENB-080-1

■ Power Primary Section

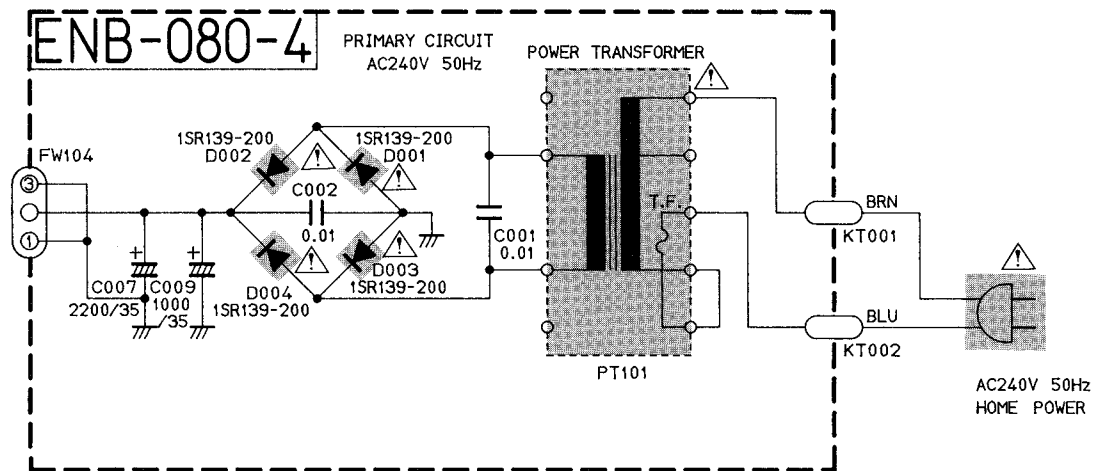
# FX-331XLBK (E,G) FOR EUROPE



# FX-331XBK (U) FOR OTHER AREAS



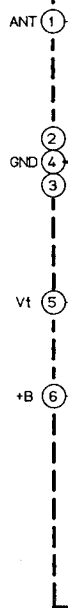
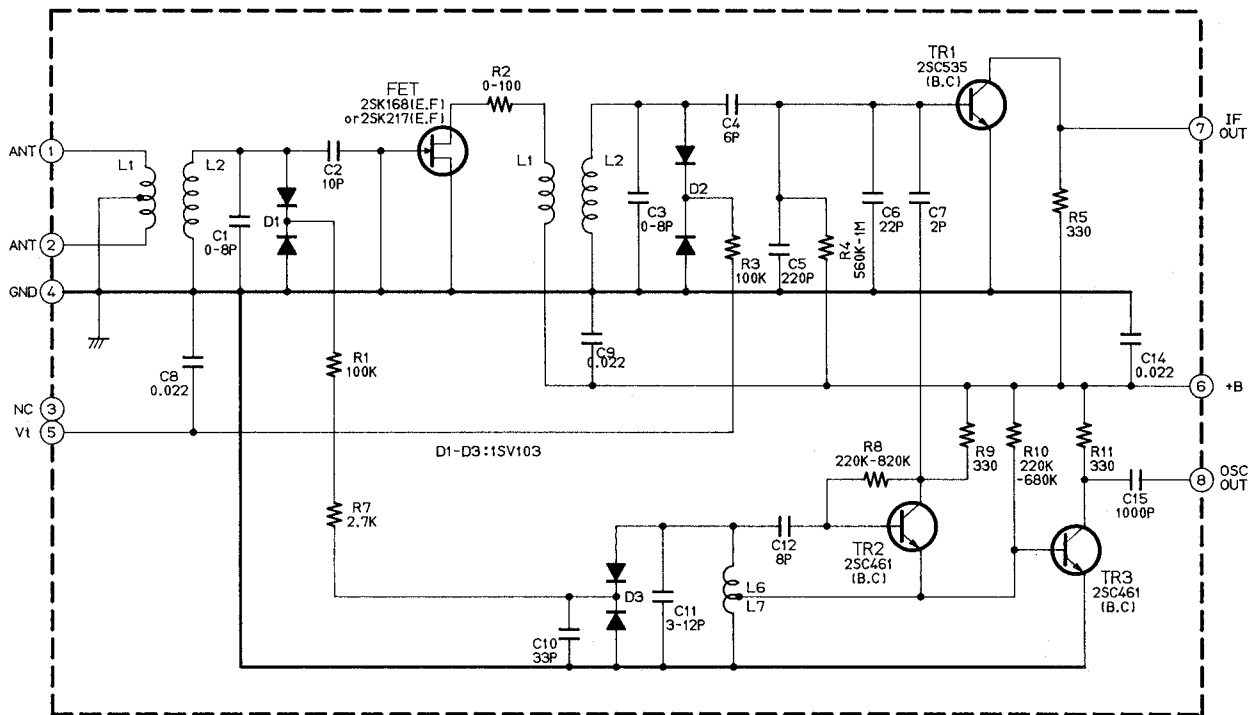
# FX-331XBK (A) FOR AUSTRALIA



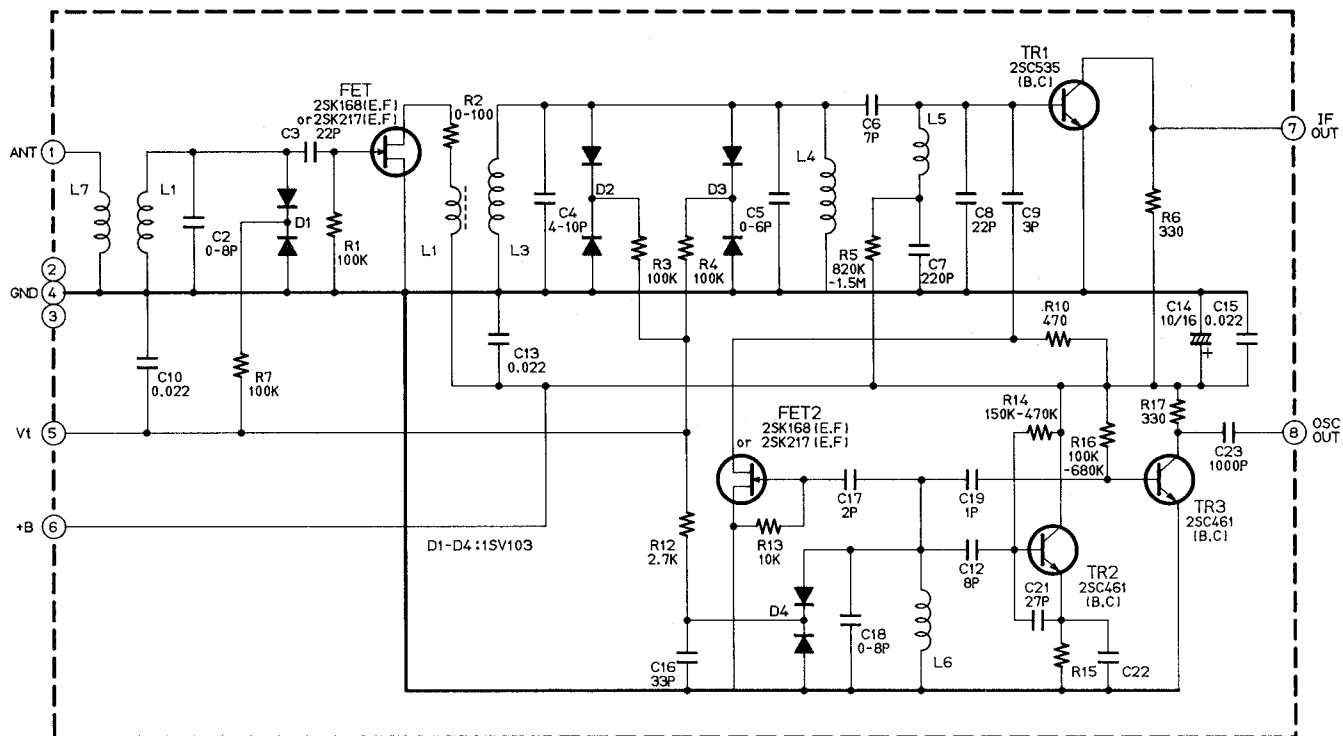


■ Front End

EAF2203-001



# EAF2203-002

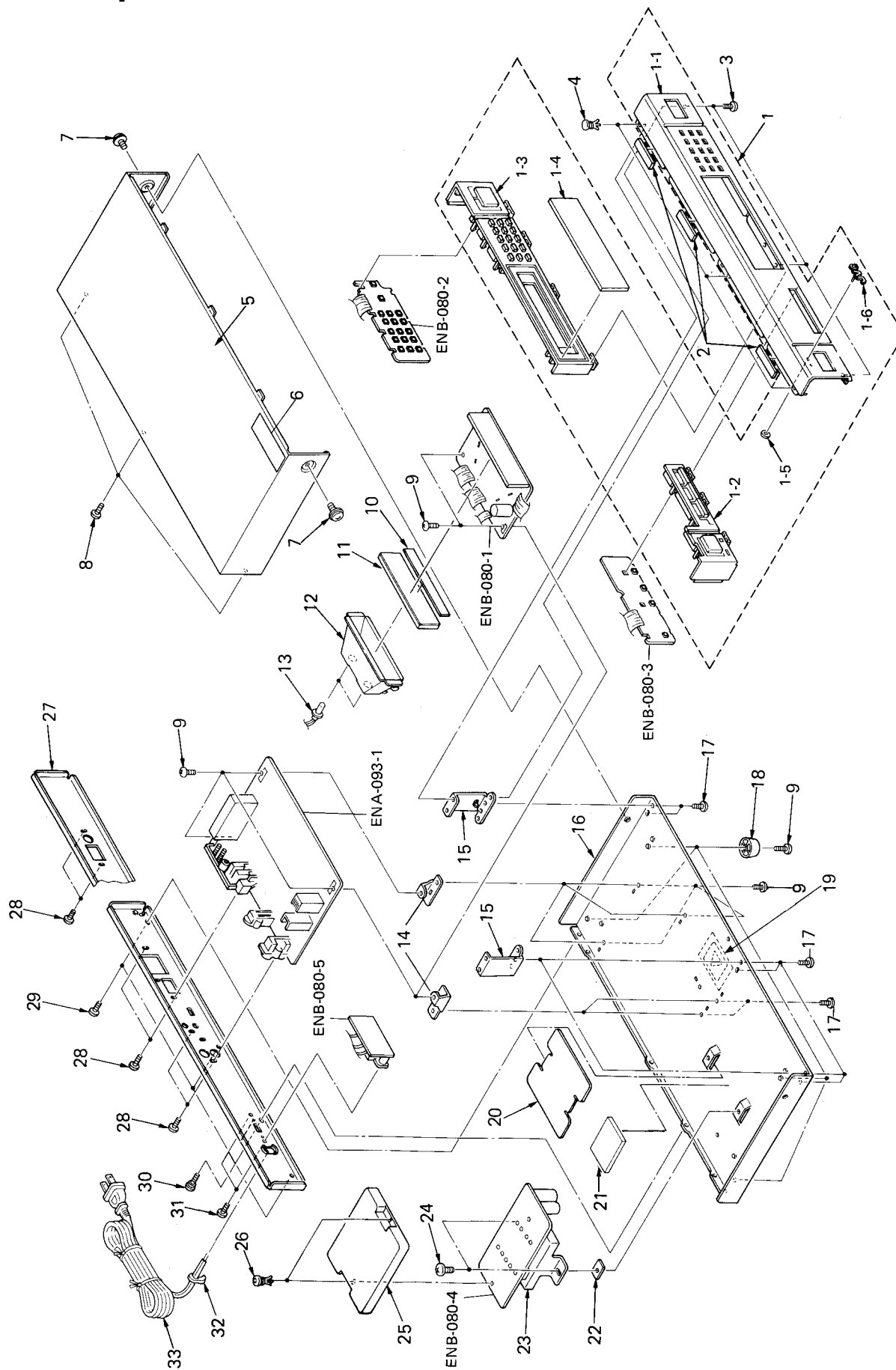


# PARTS LIST

## Contents

General Exploded View and Parts List .....	2
Printed Circuit Board Ass'y and Parts List .....	4
■ ENA-093 <input type="checkbox"/> Tuner PC Board Ass'y .....	4
■ ENB-080 <input type="checkbox"/> Logic PC Board Ass'y .....	7
Accessories List .....	9
Packing Materials and Part Numbers .....	10

# General Exploded View and Parts List



## ■ Parts List

⚠	Item	Part Number	Part Name	Q'ty	Description	Areas
	1	EFP-FX331XBKU	Front Panel Ass'y	1		A, U
	1-1	EFP-FX331XLBKE	Front Panel Ass'y	1		LE, LEF, LG, LGI
		E26204-013	Front Panel	1		A, U
		E26204-014	Front Panel	1		LE, LEF, LG, LGI
	1-2	E26206-001SS	Push Button	1	Power	
	1-3	E26207-007SS	Push Button	1		
	1-4	E306733-004SS	Window Screen	1		
	1-5	E60912-003	Speed Nut	1		
	1-6	E72968-001	JVC Mark	1		
	2	EXO050005N40S02	Felt Spacer	3		
	3	SBSG3008M	Screw	3		
	4	E48729-009	Plastic Rivet	3		
	5	E25817-001	Metal Cover	1		
	6	E67000-007	Caution Label	1		U
	7	E61660-004	Special Screw	2		
	8	E73273-006	Screw	3		
	9	SBSG3006N	Screw	14		
	10	EXO105006A02S12	Spacer	1	for LCD	
	11	E74496-001SS	Sheet	1		
	12	E305025-001SS	Reflector	1		
	13	ELP3104-B075A	Pilot Lamp	2	PL201, PL202	
	14	E68587-005SS	Circuit Board Bracket	5		
	15	E74373-001SS	Front Bracket	3		
	16	E11856-002SS	Chassis Base	2		
	17	SBST3006N	Screw	6	for Front Bracket	
	18	E47227-011	Foot	4		
	19	E70115-002	Caution Label	1		Except A
	20	E75070-001SS	Insulator	1		
	21	EXO035035R50S10	Spacer	1		
	22	E75164-001	Sheet	2		
⚠	23	ETP1000-59EA	Power Transformer	1	PT001	A
⚠		ETP1000-59LB	Power Transformer	1	PT001	U
⚠		ETP1000-73EAJ	Power Transformer	1	PT001	LE, LEF, LG, LGI
	24	E65389-002	Special Screw	2	for Transformer	
	25	E26286-001SS	Circuit Board Cover	1		
	26	E48729-008	Plastic Rivet	2		
	27	E26208-026SS	Rear Panel	1		U
		E26208-027SS	Rear Panel	1		A
		E26208-028SS	Rear Panel	1		LE, LEF, LG, LGI
	—	E303260-231	Rating Label	1		U
	28	E73273-001	Special Screw	4		
	29	SBSG3006M	Screw	3		
	30	E74572-001	Special Screw	1		
	31	SBSG2608M	Screw	2	for Voltage Selector	U
⚠	32	QHS3876-162	Cord Stopper	1		
⚠	33	QMP7520-200	Power Cord	1		U
⚠		QMP2560-244E	Power Cord	1		A
⚠		QMP3900-200E	Power Cord	1		LE, LEF, LG, LGI
	—	E61029-005	Number Label	1		Except LE
	—	E70028-001	Approval Label	1		LE

⚠: Safety Parts

## The Marks Designated Areas

A.....Australia

U.....Other Countries

LG.....Germany (With LW)

LGI.....Italy (With LW)

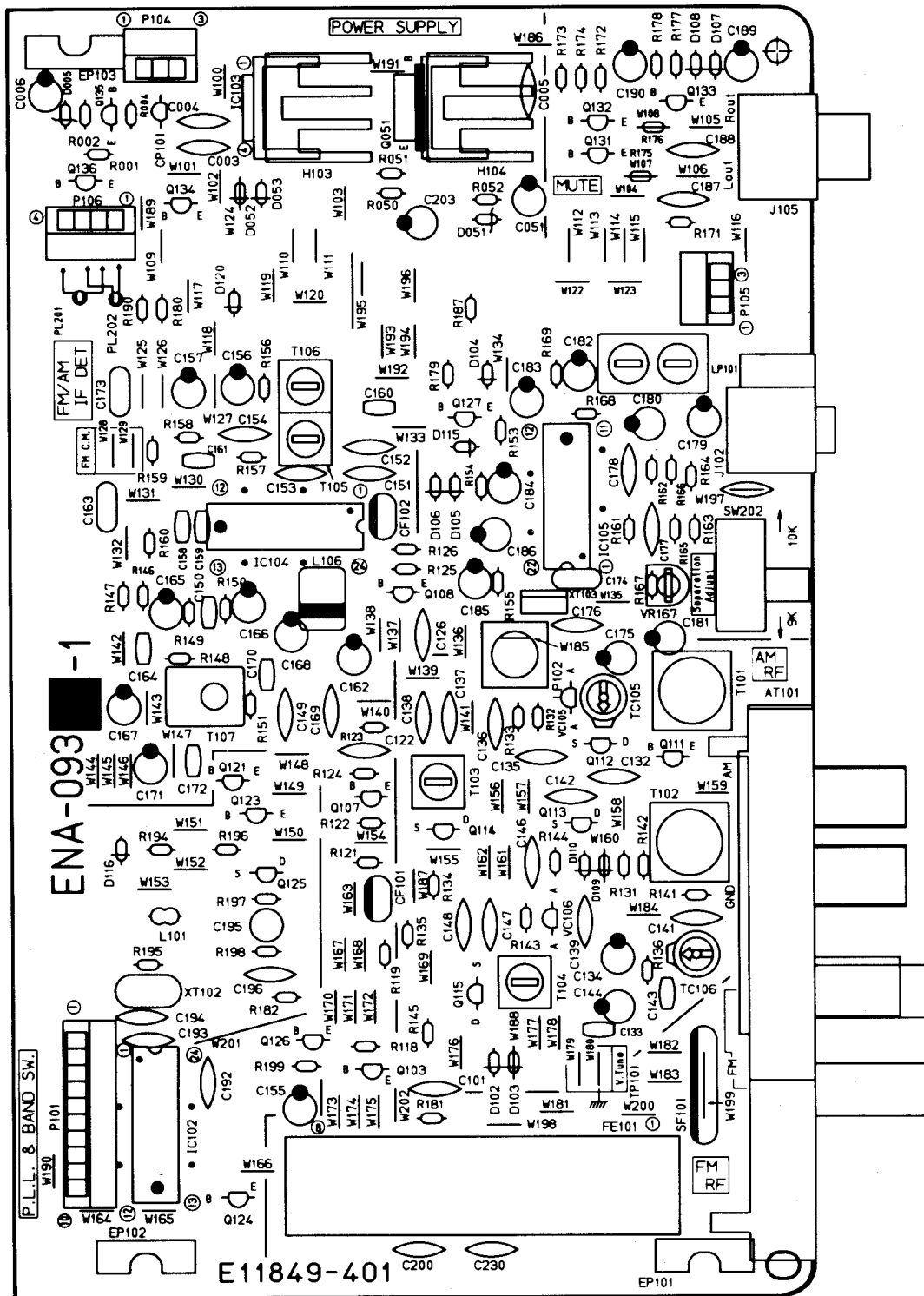
LE, LEF.....Continental Europe (With LW)

No mark indicates all areas.

# Printed Circuit Board Ass'y and Parts List

■ ENA-093 □ Tuner PC Board Ass'y

Note : ENA-093 □ varies according to the areas employed. See note (1) when placing an order.



Note (1)

PC Board Ass'y	Designated Areas
ENA-093 <b>B</b>	Universal Type
ENA-093 <b>C</b>	Australia
ENA-093 <b>E</b>	Continental Europe (with LW) Germany (with LW)
ENA-093 <b>G</b>	Italy (with LW)

Transistors

Δ	ITEM	PART NUMBER	DESCRIPTION	AREA
	Q051	2SD313V(E)	SILICON SANYO	B
	Q103	2SC461(B,C)	SILICON HITACHI	
	Q107	2SC535(B,C)	SILICON HITACHI	
	Q108	2SC461(B,C)	SILICON HITACHI	
	Q111	2SD1302(S,T)	SILICON MATSUSHITA	E
	Q111	2SD1302(S,T)	SILICON MATSUSHITA	G
	Q112	2SK301(Q,R)	F.E.T MATSUSHITA	E
	Q113	2SK301(Q,R)	F.E.T MATSUSHITA	E
	Q113	2SK301(Q,R)	F.E.T MATSUSHITA	G
	Q114	2SK301(P,Q)	F.E.T MATSUSHITA	E
	Q114	2SK301(P,Q)	F.E.T MATSUSHITA	G
	Q115	2SK301(P,Q)	F.E.T MATSUSHITA	E
	Q115	2SK301(P,Q)	F.E.T MATSUSHITA	G
	Q121	AN1L4M	SILICON NEC	E
	Q121	AN1L4M	SILICON NEC	G
	Q123	AN1L4M	SILICON NEC	
	Q124	AN1L4M	SILICON NEC	B
	Q124	AN1A4P	SILICON NEC	C
	Q124	AN1A4P	SILICON NEC	E
	Q124	AN1A4P	SILICON NEC	G
	Q125	2SK301(Q2)	F.E.T MATSUSHITA	
	Q126	2SC1685(Q-S)	SILICON NEC	
	Q127	AA1L4M	SILICON NEC	
	Q131	2SC1685(R,S)	SILICON MATSUSHITA	
	Q132	2SC1685(R,S)	SILICON MATSUSHITA	
	Q133	2SA564A(R,S)	SILICON MATSUSHITA	
	Q134	AN1A4P	SILICON NEC	
	Q135	2SD1302(S,T)	SILICON MATSUSHITA	
	Q136	2SD1302(S,T)	SILICON MATSUSHITA	

Δ IS A SAFETY PARTS

I.C.s

Δ	ITEM	PART NUMBER	DESCRIPTION	AREA
	IC102	LC7218	I.C. SANYO	
	IC103	AN7812R	I.C. MATSUSHITA	
	IC104	LA1266A	I.C. SANYO	
	IC105	LA3401	I.C. SANYO	

Δ IS A SAFETY PARTS

Diodes

Δ	ITEM	PART NUMBER	DESCRIPTION	AREA
	D005	RD6.2JSB3	ZENER NEC	B
	D051	RD12JSB3	ZENER NEC	B
	D052	1SS133	SILICON ROHM	B
	D053	1SS133	SILICON ROHM	B
	D102	1SS133	SILICON ROHM	E
	D102	1SS133	SILICON ROHM	G
	D103	1SS133	SILICON ROHM	E
	D103	1SS133	SILICON ROHM	G
	D104	1SS133	SILICON ROHM	
	D105	1SS133	SILICON ROHM	
	D106	1SS133	SILICON ROHM	
	D107	1SR139-200	SILICON ROHM	
	D108	1SS133	SILICON ROHM	
	D109	1SS133	SILICON ROHM	E
	D109	1SS133	SILICON ROHM	G
	D110	1SS133	SILICON ROHM	E
	D110	1SS133	SILICON ROHM	G
	D115	1SS133	SILICON ROHM	
	D116	1SS133	SILICON ROHM	
	D120	1SS133	SILICON ROHM	
	VC105	SVC342(L)	VARICAP SANYO	
	VC106	SVC342(L)	VARICAP SANYO	E
	VC106	SVC342(L)	VARICAP SANYO	G

Δ IS A SAFETY PARTS

Capacitors

Δ	ITEM	PART NUMBER	DESCRIPTION	AREA
	C003	QCF21HP-223	0.022MF 50V CERAMIC	
	C004	QCF21HP-223	0.022MF 50V CERAMIC	
	C005	QCF21HP-223	0.022MF 50V CERAMIC	
	C006	QETB1AM-476	47MF 10V ELECTRO	
	C051	QETB1CM-476	47MF 16V ELECTRO	B
	C101	QCF21HP-223	0.022MF 50V CERAMIC	
	C102	QCF21HP-223	0.022MF 50V CERAMIC	
	C122	QCF21HP-223	0.022MF 50V CERAMIC	
	C126	QCF21HP-223	0.022MF 50V CERAMIC	
	C132	QCS21HJ-561	560PF 50V CERAMIC	
	C133	QCHB1EZ-223	0.022MF 25V CERAMIC	
	C134	QETB1EM-106	10MF 25V ELECTRO	
	C135	QCC21EM-223	0.022MF 25V CERAMIC	
	C136	QCT26CH-180	18PF 50V CERAMIC	
	C137	QCT26CH-221	220PF 50V CERAMIC	
	C138	QCT26CH-241	240PF 50V CERAMIC	
	C139	QCC21EM-223	0.022MF 25V CERAMIC	E
	C139	QCC21EM-223	0.022MF 25V CERAMIC	G
	C141	QCS21HJ-270	27PF 50V CERAMIC	E
	C141	QCS21HJ-270	27PF 50V CERAMIC	G
	C142	QCY21HK-272	2700PF 50V CERAMIC	E
	C142	QCY21HK-272	2700PF 50V CERAMIC	G
	C143	QCHB1EZ-223	0.022MF 25V CERAMIC	E
	C143	QCHB1EZ-223	0.022MF 25V CERAMIC	G
	C144	QETB1EM-106	10MF 25V ELECTRO	E
	C144	QETB1EM-106	10MF 25V ELECTRO	G
	C146	QCT26CH-680	68PF 50V CERAMIC	E
	C146	QCT26CH-680	68PF 50V CERAMIC	G
	C147	QCT26CH-220	22PF 50V CERAMIC	E
	C147	QCT26CH-220	22PF 50V CERAMIC	G
	C148	QCT26CH-121	120PF 50V CERAMIC	E
	C148	QCT26CH-121	120PF 50V CERAMIC	G
	C149	QCF21HP-223	0.022MF 50V CERAMIC	
	C150	QCHB1EZ-223	0.022MF 25V CERAMIC	
	C151	QCF21HP-223	0.022MF 50V CERAMIC	
	C152	QCF21HP-223	0.022MF 50V CERAMIC	
	C153	QCC21EM-223	0.022MF 25V CERAMIC	
	C154	QCF21HP-223	0.022MF 50V CERAMIC	
	C155	QETB1EM-226	22MF 25V ELECTRO	
	C156	QETB1HM-475	4.7MF 50V ELECTRO	
	C157	QETB1HM-474	0.47MF 50V ELECTRO	
	C158	QCB1HK-101	100PF 50V CERAMIC	
	C159	QCB1HK-101	100PF 50V CERAMIC	
	C160	QCB1HK-221	220PF 50V CERAMIC	
	C161	QCHB1EZ-223	0.022MF 25V CERAMIC	
	C162	QETB1EM-106	10MF 25V ELECTRO	
	C163	QFN81HJ-332	3300PF 50V MYLAR	
	C164	QCHB1EZ-223	0.022MF 25V CERAMIC	
	C165	QETB1HM-474	0.47MF 50V ELECTRO	
	C166	QETB1HM-225	2.2MF 50V ELECTRO	
	C167	QETB1HM-225	2.2MF 50V ELECTRO	
	C168	QETB1HM-475	4.7MF 50V ELECTRO	
	C169	QCF21HP-223	0.022MF 50V CERAMIC	
	C170	QCHB1EZ-223	0.022MF 25V CERAMIC	
	C171	QETB1EM-106	10MF 25V ELECTRO	
	C172	QCVB1CM-103	0.01MF 16V CERAMIC	
	C173	QFN81HK-223	0.022MF 50V MYLAR	
	C174	QFN81HK-473	0.047MF 50V MYLAR	
	C175	QETB1EM-106	10MF 25V ELECTRO	
	C176	QCY21HK-102	1000PF 50V CERAMIC	
	C177	QCS21HJ-561	560PF 50V CERAMIC	B
	C177	QCS21HJ-271	270PF 50V CERAMIC	C
	C177	QCS21HJ-271	270PF 50V CERAMIC	E
	C177	QCS21HJ-271	270PF 50V CERAMIC	G
	C178	QCS21HJ-561	560PF 50V CERAMIC	B
	C178	QCS21HJ-271	270PF 50V CERAMIC	C
	C178	QCS21HJ-271	270PF 50V CERAMIC	E
	C178	QCS21HJ-271	270PF 50V CERAMIC	G
	C179	QETB1HM-225	2.2MF 50V ELECTRO	
	C180	QETB1HM-225	2.2MF 50V ELECTRO	
	C181	QETB1EM-106	10MF 25V ELECTRO	
	C182	QETB1HM-225	2.2MF 50V ELECTRO	
	C183	QETB1HM-105	1MF 50V ELECTRO	
	C184	QETB1HM-105	1MF 50V ELECTRO	
	C185	QETB1HM-225	2.2MF 50V ELECTRO	
	C186	QETB1HM-474	0.47MF 50V ELECTRO	
	C187	QCS21HJ-331	330PF 50V CERAMIC	E
	C187	QCS21HJ-331	330PF 50V CERAMIC	G
	C188	QCS21HJ-331	330PF 50V CERAMIC	E
	C188	QCS21HJ-331	330PF 50V CERAMIC	G
	C189	QETB1HM-226	22MF 50V ELECTRO	
	C190	QETB1HM-475	4.7MF 50V ELECTRO	
	C192	QCC21EM-473	0.047MF 25V CERAMIC	
	C193	QCS21HJ-180	18PF 50V CERAMIC	
	C194	QCS21HJ-180	18PF 50V CERAMIC	
	C195	QEN51HM-474	0.47MF 50V NON POLE	
	C196	QCY21HK-102	1000PF 50V CERAMIC	
	C200	QCF21HP-103	0.01MF 50V CERAMIC	
	C203	QETB1CM-227	220MF 16V ELECTRO	
	C230	QCF21HP-103	0.01MF 50V CERAMIC	

Δ IS A SAFETY PARTS

Resistors

Δ	ITEM	PART NUMBER	DESCRIPTION			AREA
	R001	QRD167J-102	1K	1/6W	CARBON	
	R002	QRD167J-222	2.2K	1/6W	CARBON	
	R004	QRD167J-222	2.2K	1/6W	CARBON	
	R050	QRD167J-222	2.2K	1/6W	CARBON	B
	R051	QRD167J-222	2.2K	1/6W	CARBON	B
Δ	R052	QRV144F-6800		1/4W	M.FILM	B
	R118	QRD167J-332	3.3K	1/6W	CARBON	
	R119	QRD167J-221	220	1/6W	CARBON	
	R121	QRD167J-391	390	1/6W	CARBON	
	R122	QRD167J-272	2.7K	1/6W	CARBON	
	R123	QRD167J-102	1K	1/6W	CARBON	
	R124	QRD167J-681	680	1/6W	CARBON	
	R125	QRD167J-332	3.3K	1/6W	CARBON	
	R126	QRD167J-221	220	1/6W	CARBON	
	R131	QRD167J-331	330	1/6W	CARBON	
	R132	QRD167J-103	10K	1/6W	CARBON	
	R133	QRD167J-473	47K	1/6W	CARBON	
	R134	QRD167J-103	10K	1/6W	CARBON	E
	R134	QRD167J-103	10K	1/6W	CARBON	G
	R135	QRD167J-470	47	1/6W	CARBON	
	R136	QRD167J-103	10K	1/6W	CARBON	
	R141	QRD167J-472	4.7K	1/6W	CARBON	E
	R141	QRD167J-472	4.7K	1/6W	CARBON	G
	R142	QRD167J-331	330	1/6W	CARBON	E
	R142	QRD167J-331	330	1/6W	CARBON	G
	R143	QRD167J-103	10K	1/6W	CARBON	E
	R143	QRD167J-103	10K	1/6W	CARBON	G
	R144	QRD167J-473	47K	1/6W	CARBON	E
	R144	QRD167J-473	47K	1/6W	CARBON	G
	R145	QRD167J-103	10K	1/6W	CARBON	E
	R145	QRD167J-103	10K	1/6W	CARBON	G
	R146	QRD167J-560	56	1/6W	CARBON	
	R147	QRD167J-103	10K	1/6W	CARBON	
	R148	QRD167J-103	10K	1/6W	CARBON	
	R149	QRD167J-223	22K	1/6W	CARBON	
	R150	QRD167J-103	10K	1/6W	CARBON	
	R151	QRD167J-224	220K	1/6W	CARBON	
	R153	QRD167J-103	10K	1/6W	CARBON	
	R154	QRD167J-103	10K	1/6W	CARBON	
	R155	QRD167J-562	5.6K	1/6W	CARBON	
	R156	QRD167J-822	8.2K	1/6W	CARBON	
	R157	QRD167J-103	10K	1/6W	CARBON	
	R158	QRD167J-273	27K	1/6W	CARBON	
	R159	QRD167J-561	560	1/6W	CARBON	
	R160	QRD167J-123	12K	1/6W	CARBON	B
	R160	QRD167J-273	27K	1/6W	CARBON	C
	R160	QRD167J-273	27K	1/6W	CARBON	E
	R160	QRD167J-273	27K	1/6W	CARBON	G
	R161	QRD167J-124	120K	1/6W	CARBON	B
	R161	QRD167J-184	180K	1/6W	CARBON	C
	R161	QRD167J-184	180K	1/6W	CARBON	E
	R161	QRD167J-184	180K	1/6W	CARBON	G
	R162	QRD167J-124	120K	1/6W	CARBON	B
	R162	QRD167J-184	180K	1/6W	CARBON	C
	R162	QRD167J-184	180K	1/6W	CARBON	E
	R162	QRD167J-184	180K	1/6W	CARBON	G
	R163	QRD167J-332	3.3K	1/6W	CARBON	
	R164	QRD167J-332	3.3K	1/6W	CARBON	
	R165	QRD167J-184	180K	1/6W	CARBON	B
	R165	QRD167J-274	270K	1/6W	CARBON	C
	R165	QRD167J-274	270K	1/6W	CARBON	E
	R165	QRD167J-274	270K	1/6W	CARBON	G
	R166	QRD167J-184	180K	1/6W	CARBON	B
	R166	QRD167J-274	270K	1/6W	CARBON	C
	R166	QRD167J-274	270K	1/6W	CARBON	E
	R166	QRD167J-274	270K	1/6W	CARBON	G
	R167	QRD167J-393	39K	1/6W	CARBON	B
	R168	QRD167J-103	10K	1/6W	CARBON	
	R169	QRD167J-103	10K	1/6W	CARBON	
	R171	QRD167J-682	6.8K	1/6W	CARBON	
	R172	QRD167J-682	6.8K	1/6W	CARBON	
	R173	QRD167J-103	10K	1/6W	CARBON	
	R174	QRD167J-103	10K	1/6W	CARBON	
	R175	QRD167J-101	100	1/6W	CARBON	
	R176	QRD167J-101	100	1/6W	CARBON	
	R177	QRD167J-104	100K	1/6W	CARBON	
	R178	QRD167J-104	100K	1/6W	CARBON	
	R179	QRD167J-562	5.6K	1/6W	CARBON	
	R180	QRD167J-472	4.7K	1/6W	CARBON	
	R181	QRD167J-222	2.2K	1/6W	CARBON	
	R182	QRD167J-181	180	1/6W	CARBON	
	R187	QRD167J-101	100	1/6W	CARBON	
	R190	QRD167J-472	4.7K	1/6W	CARBON	
	R194	QRD167J-472	4.7K	1/6W	CARBON	
	R195	QRD167J-473	47K	1/6W	CARBON	
	R196	QRD167J-103	10K	1/6W	CARBON	B
	R196	QRD167J-103	10K	1/6W	CARBON	C
	R196	QRD167J-222	2.2K	1/6W	CARBON	E
	R196	QRD167J-222	2.2K	1/6W	CARBON	G
	R197	QRD167J-222	2.2K	1/6W	CARBON	

Δ ISIA/PETTY PARTS

Resistors

Δ	ITEM	PART NUMBER	DESCRIPTION			AREA
	R198	QRD167J-332	3.3K	1/6W	CARBON	B
	R198	QRD167J-332	3.3K	1/6W	CARBON	C
	R198	QRD167J-822	8.2K	1/6W	CARBON	E
	R198	QRD167J-822	8.2K	1/6W	CARBON	G
	R199	QRD167J-472	4.7K	1/6W	CARBON	
	VR167	QVPE601-104	100K	0.15W	VARIABLE	C
	VR167	QVPE601-104	100K	0.15W	VARIABLE	E
	VR167	QVPE601-104	100K	0.15W	VARIABLE	G

Δ ISIA/PETTY PARTS

Others

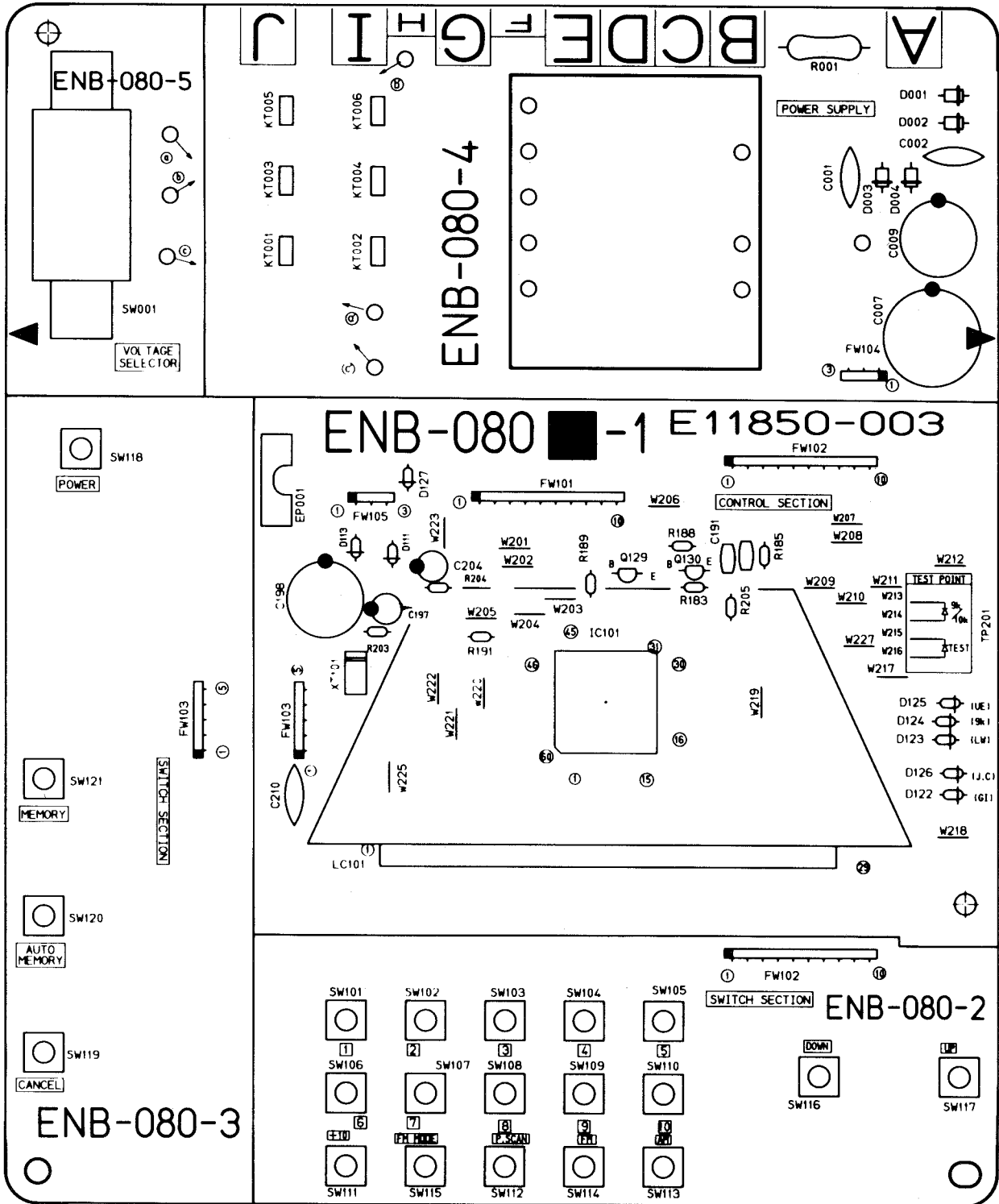
Δ	ITEM	PART NUMBER	DESCRIPTION			AREA
		E11849-401	PRINTED BOARD			
		SBSB3008Z	SCREW			
		SBSB3008Z	SCREW			B
	H103	E75084-H30B	HEAT SINK			
	H104	E70306-001	HEAT SINK			B
	J102	QMS3501-021	MINI JACK(COMPULINK)			
	J105	EMN00TV-207A	2P PIN JACK(OUT PUT)			B
	J105	EMN00TV-207A	2P PIN JACK(OUT PUT)			C
	J105	EMN00TV-212A	2P PIN JACK(OUT PUT)			E
	J105	EMN00TV-212A	2P PIN JACK(OUT PUT)			G
	L101	EGL4004-1R0	INDUCTOR			
	L106	EGL3001-102K	INDUCTOR			
	P101	EMV7112-010	CONNECTOR(10PIN)			
	P104	EMV7112-003	CONNECTOR(3PIN)			
	P105	EMV7112-003	CONNECTOR(3PIN)			B
	P106	EMV7112-004	CONNECTOR(4PIN)			
	T101	EQR1111-014	AM RF COIL			
	T102	EQR1111-005	AM RF COIL			E
	T102	EQR1111-005	AM RF COIL			G
	T103	EQR1207-015	MW OSC COIL			
	T104	EQR1307-009	LW OSC COIL			E
	T104	EQR1307-009	LW OSC COIL			G
	T105	EQT2140-012	I.F. TRANSFORMER			
	T106	EQT2140-013	I.F. TRANSFORMER			
	T107	ECB1560-006	CERAMIC FILTER			
	AT101	EMB41YV-401K	ANTENNA TERMINAL			B
	AT101	EMB41YV-401K	ANTENNA TERMINAL			C
	AT101	EMB41YV-301K	ANTENNA TERMINAL			E
	AT101	EMB41YV-301K	ANTENNA TERMINAL			G
	CF101	ECB2123-006R	CERAMIC FILTER			B
	CF101	ECB2123-006R	CERAMIC FILTER			C
	CF101	ECB2118-007R	CERAMIC FILTER			E
	CF101	ECB2118-007R	CERAMIC FILTER			G
	CF102	ECB2123-006R	CERAMIC FILTER			B
	CF102	ECB2123-006R	CERAMIC FILTER			C
	CF102	ECB2123-006R	CERAMIC FILTER			E
	CF102	ECB2123-006R	CERAMIC FILTER			G
	CF102	ECB2118-007R	CERAMIC FILTER			B
	CF102	ECB2118-007R	CERAMIC FILTER			C
	CF102	ECB2118-007R	CERAMIC FILTER			E
	CF102	ECB2118-007R	CERAMIC FILTER			G
Δ	CP101	ICP-N5	I.C. PROTECTOR			
	EP101	E70859-001	EARTH PLATE			
	EP102	E70859-001	EARTH PLATE			
	EP103	E70859-001	EARTH PLATE			
	FE101	EAF2203-001	FRONT END			B
	FE101	EAF2203-001	FRONT END			C
	FE101	EAF2203-002	FRONT END			E
	FE101	EAF2203-002	FRONT END			G
	LP101	EQF0101-002	LOW PASS FILTER			
	LP102	EQF0102-001	LOW PASS FILTER			E
	LP102	EQF0102-001	LOW PASS FILTER			G
	SF101	EQF0201-006	BAND PASS FILTER			E
	SF101	EQF0201-006	BAND PASS FILTER			G
	SW202	QSS1201-039	SLIDE SWITCH(CHANNEL SPACE)			B
	TC105	ENZ1003-006	TRIMMER			
	TC106	ENZ1003-006	TRIMMER			E
	TC106	ENZ1003-006	TRIMMER			G
	XT102	ECX0007-200KC	RESONATOR			
	XT103	ECX0000-456KR	RESONATOR			

Δ ISIA/PETTY PARTS



■ ENB-080 □ Logic PC Board Ass'y

Note : ENB-080 □ varies according to the areas employed. See note (1) when placing an order.



Note (1)

PC Board Ass'y	Designated Areas
ENB-080 <b>B</b>	Universal Type
ENB-080 <b>C</b>	Australia
ENB-080 <b>D</b>	Continental Europe (with LW)
ENB-080 <b>E</b>	Germany (with LW)
ENB-080 <b>G</b>	Italy (with LW)

Transistors

ITEM	PART NUMBER	DESCRIPTION	AREA
Q129	2SC1685(R,S)	SILICON MATSUSHITA	
Q130	2SC1685(R,S)	SILICON MATSUSHITA	

I.C.s

ITEM	PART NUMBER	DESCRIPTION	AREA
IC101	TC9306F-034BS	I.C. TOSHIBA	

Diodes

ITEM	PART NUMBER	DESCRIPTION	AREA
D001	1SR139-200	SILICON ROHM	
D002	1SR139-200	SILICON ROHM	
D003	1SR139-200	SILICON ROHM	
D004	1SR139-200	SILICON ROHM	
D111	1SS119	SILICON HITACHI	
D113	1SS119	SILICON HITACHI	
D122	1SS119	SILICON HITACHI	G
D123	1SS119	SILICON HITACHI	D
D123	1SS119	SILICON HITACHI	E
D123	1SS119	SILICON HITACHI	G
D124	1SS119	SILICON HITACHI	C
D124	1SS119	SILICON HITACHI	D
D124	1SS119	SILICON HITACHI	E
D124	1SS119	SILICON HITACHI	G
D125	1SS119	SILICON HITACHI	B
D127	1SS119	SILICON HITACHI	B

Capacitors

ITEM	PART NUMBER	DESCRIPTION	AREA
C001	QCF21HP-103	0.01MF 50V CERAMIC	
C002	QCF21HP-103	0.01MF 50V CERAMIC	
C007	QETB1VM-228N	2200MF 35V ELECTRO	
C009	QETB1VM-108	1000MF 35V ELECTRO	
C191	QCB1CM-332	3300PF 16V CERAMIC	
C197	QETB1AM-476	47MF 10V ELECTRO	
C198	QETB0JM-228	2200MF 6.3V ELECTRO	
C204	QETB1CM-226	22MF 16V ELECTRO	
C210	QCHB1EZ-223	0.022MF 25V CERAMIC	

Resistors

ITEM	PART NUMBER	DESCRIPTION	AREA
R183	QRD167J-223	22K 1/6W CARBON	
R185	QRD167J-473	47K 1/6W CARBON	
R188	QRD167J-103	10K 1/6W CARBON	
R189	QRD167J-103	10K 1/6W CARBON	
R191	QRD167J-332	3.3K 1/6W CARBON	
R203	QRD167J-562	5.6K 1/6W CARBON	
R204	QRD167J-223	22K 1/6W CARBON	
R205	QRD167J-103	10K 1/6W CARBON	

Others

ITEM	PART NUMBER	DESCRIPTION	AREA
EP001	E11850-003	PRINTED BOARD	
FW101	E70859-001	EARTH PLATE	
FW102	EWR3AB-20KST	FLAT WIRE(10PIN)	
FW103	EWR3AB-25SST	FLAT WIRE(10PIN)	
FW104	EWR35B-20SST	FLAT WIRE(5PIN)	
FW105	EWR33B-10KST	FLAT WIRE(3PIN)	
KT001	EWR33B-20KST	FLAT WIRE(3PIN)	B
KT002	E65508-002	TAB	C
KT003	E65508-002	TAB	C
KT003	E65508-002	TAB	D
KT003	E65508-002	TAB	E
KT003	E65508-002	TAB	G
KT004	E65508-002	TAB	D
KT004	E65508-002	TAB	E
KT004	E65508-002	TAB	G
KT005	E65508-002	TAB	B
KT006	E65508-002	TAB	B
LC101	ELU0002-049	LCD PANEL	
SW001	QSS1L22-E01	SLIDE SWITCH(VOL. SELECTOR)	B
SW101	ESP0001-007	TACT SWITCH(1)	
SW102	ESP0001-007	TACT SWITCH(2)	
SW103	ESP0001-007	TACT SWITCH(3)	
SW104	ESP0001-007	TACT SWITCH(4)	
SW105	ESP0001-007	TACT SWITCH(5)	
SW106	ESP0001-007	TACT SWITCH(6)	
SW107	ESP0001-007	TACT SWITCH(7)	
SW108	ESP0001-007	TACT SWITCH(8)	
SW109	ESP0001-007	TACT SWITCH(9)	
SW110	ESP0001-007	TACT SWITCH(10)	
SW111	ESP0001-007	TACT SWITCH(11)	
SW112	ESP0001-007	TACT SWITCH(PRESET SCAN)	
SW113	ESP0001-007	TACT SWITCH(AM)	
SW114	ESP0001-007	TACT SWITCH(FM)	
SW115	ESP0001-007	TACT SWITCH(AUTO/MONO)	
SW116	ESP0001-007	TACT SWITCH(DOWN)	
SW117	ESP0001-007	TACT SWITCH(UP)	
SW118	ESP0001-007	TACT SWITCH(POWER)	
SW119	ESP0001-007	TACT SWITCH(CANCEL)	
SW120	ESP0001-007	TACT SWITCH(AUTO MEMORY)	
SW121	ESP0001-007	TACT SWITCH(MEMORY)	
XT101	ECX0072-000EM	RESONATOR	

# Accessories List

△	Part Number	Part Name	Q'ty	Description	Areas
	E30580-1714A E30580-1715A BT-20117 BT-20122 BT-20122-1	Instruction Book Instruction Book Warranty Card Warranty Card Sticker	1 1 1 1 1		Except LGI LGI LG A A
△	EWP302-011 EWP805-001 EQB4001-015 EWP502-001 EMZ2001-011	Signal Cord 1P Plug Cord AM Loop Antenna Built in Antenna Adapter	1 1 1 1 1		Except LG LE , LEF , LGI
△	E67007-001 QZL1008-001 E04056 E35497-022 QPGA025-03505	Wire Antenna FTZ Information Sheet Siemens Plug Caution Sheet Envelope	1 1 1 1 1	220V	LG LG U U

△ : Safety Parts

### The Marks Designated Areas

A.....Australia

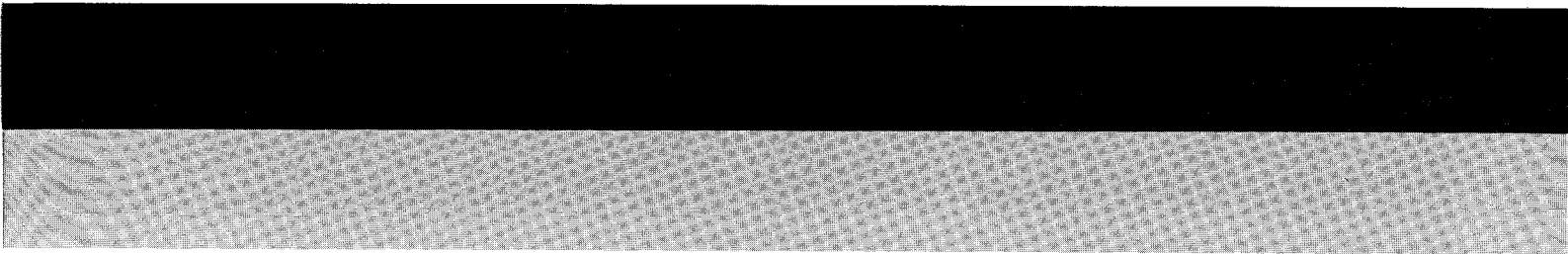
U.....Other Countries

LG.....Germany (With LW)

LGI.....Italy (With LW)

LE , LEF.....Continental Europe (With LW)

No mark indicates all areas.



# JVC

VICTOR COMPANY OF JAPAN, LIMITED  
AUDIO PRODUCTS DIVISION, 1644, SHIMOTSURUMA, YAMATO-SHI, KANAGAWA-KEN, 242, JAPAN